



RECTIVERTER

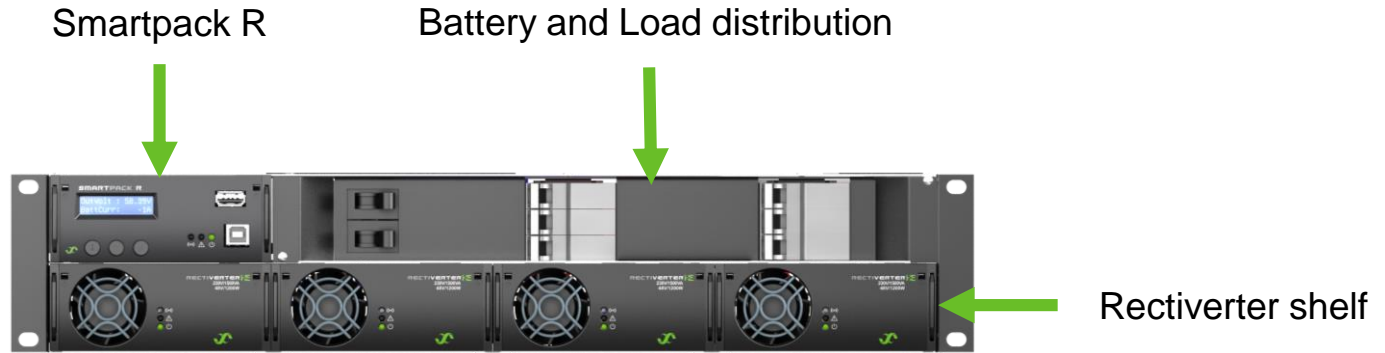
Rectiverter 2U Power Core, 6kVA 1ph

Rectifier 2U Power Core, 6kVA 1ph



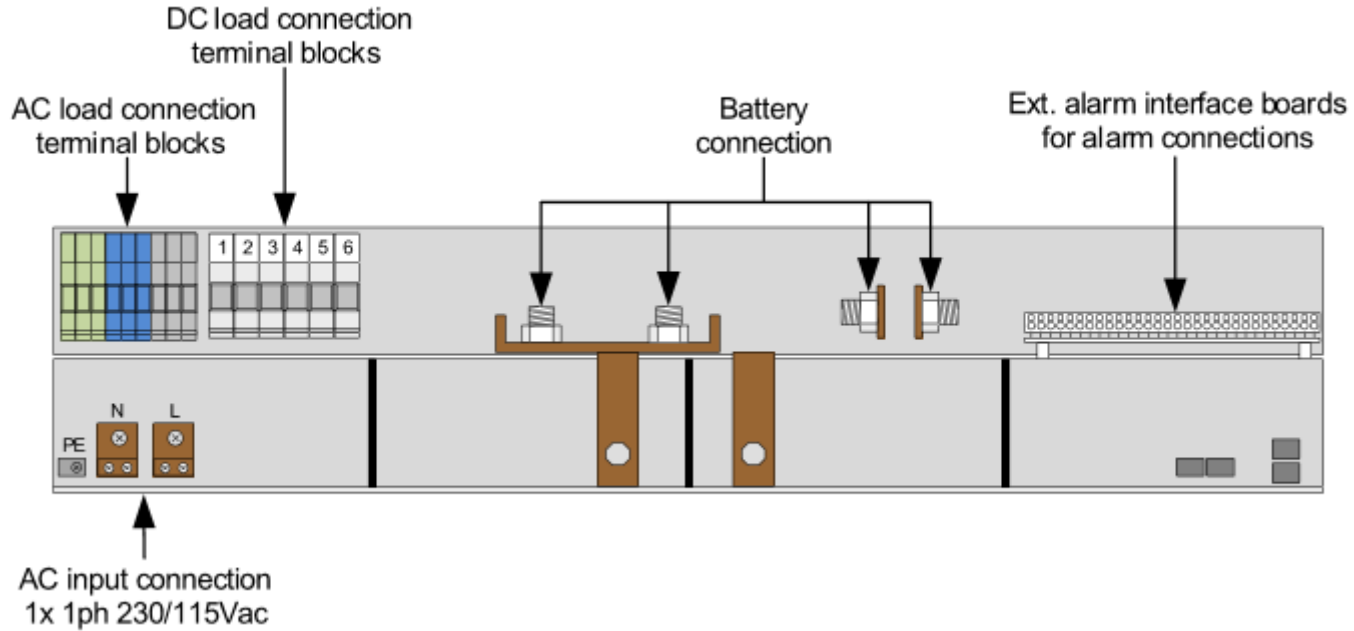
- Smartpack R control unit
- 115 or 230 VAC 1ph input/output
 - max 6 kVA AC output
- 48 VDC output
 - max 4,8 kW DC output
- 8kW total AC + DC output
 - max 4 Rectifier modules
- Battery distribution
 - 2x positions for battery breakers
 - LVBD (optional)
- DC distribution
 - 3x single pole (13mm) load breakers
- AC distribution
 - 3x 1-pole or 1x 2-pole (13mm) load breakers

Front view

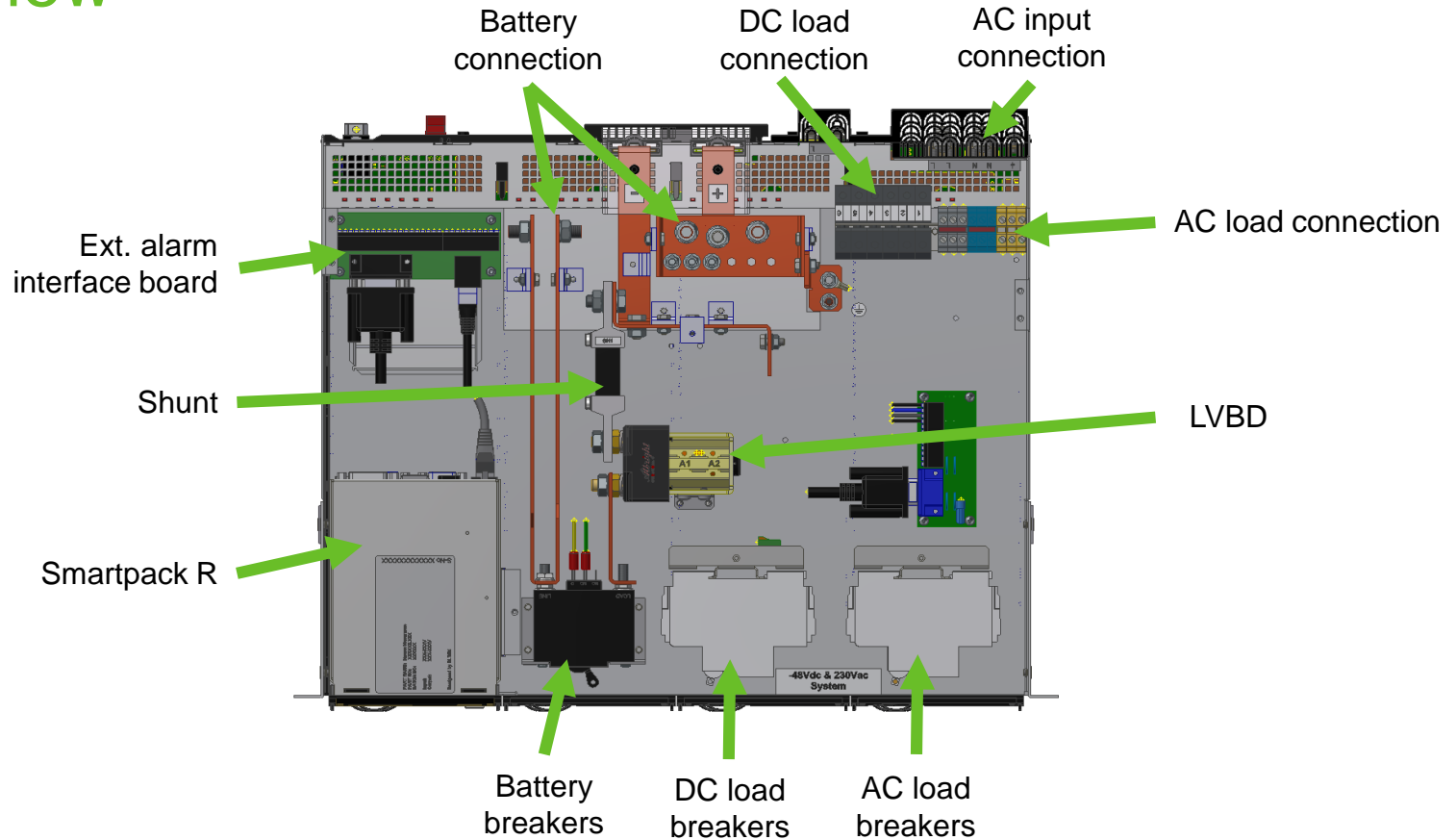


- Smartpack R control unit
- 4x positions for Rectifier modules
- Battery and Load distributions
- 2U high / 19" wide

Rear side connections

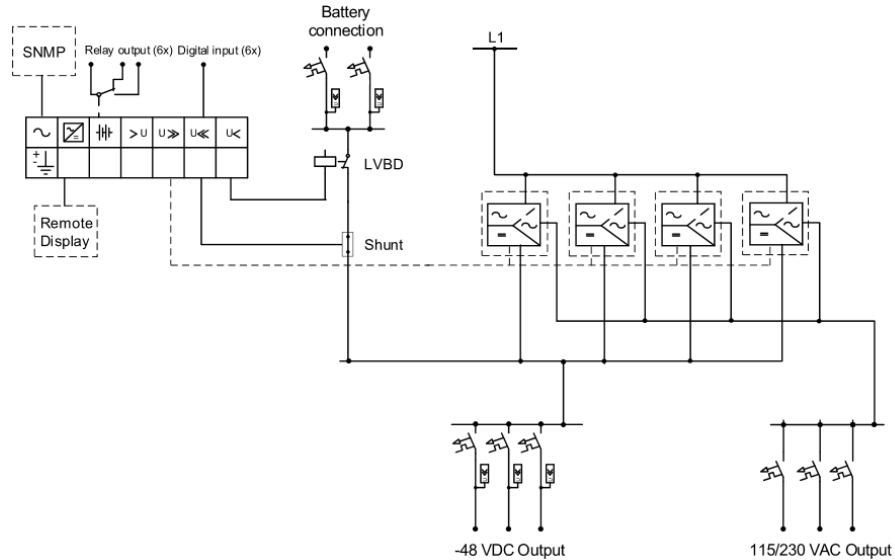


Top view



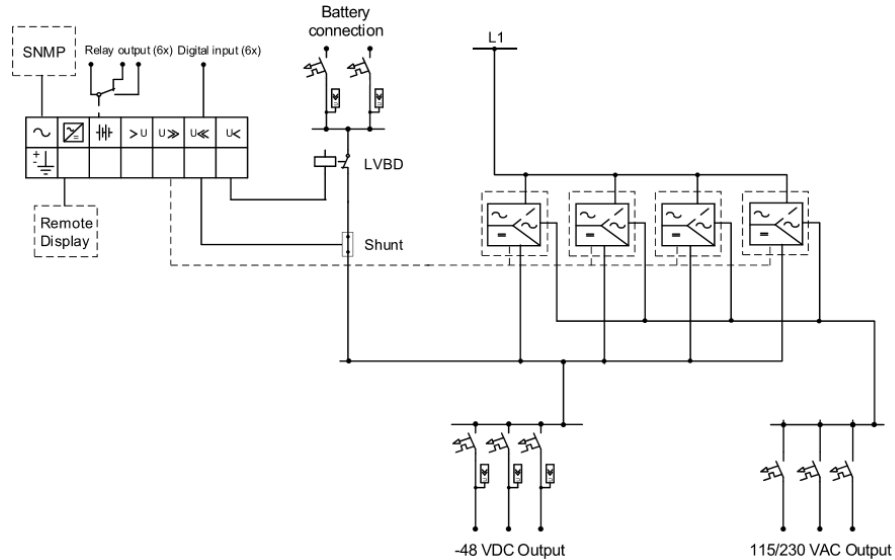
Distribution – option 1

- **Battery distribution**
 - 2x positions for battery breakers
 - Max. 2x 100A or 1x 150A
 - LVBD 150A (optional)
- **DC distribution**
 - 3x 1-pole (13mm) breakers
 - Max. 3x 60A
- **AC distribution**
 - 3x 1-pole (13mm) breakers
 - Up to 3x 16A



Distribution – option 2

- **Battery distribution**
 - 2x positions for battery breakers
 - Max. 2x 100A or 1x 150A
 - LVBD 150A (optional)
- **DC distribution**
 - 3x 1-pole (13mm) breakers
 - Max. 3x 60A
- **AC distribution**
 - 1x 2-pole (13mm) breaker
 - Up to 3x 16A



Predefined Part numbers (whithout modules)

- CTOR0402.001 - 230 VAC (6kVA), 48 VDC (4,8kW)
 - Battery breakers
 - 2x 100A
 - DC Load breakers
 - 1x 10A, 1x 16A & 1x 32A (1-pole 13mm)
 - AC Load breakers
 - 1x 3A, 1x 10A & 1x 16A (1-pole 13mm)
- CTOR0402.002 - 230 VAC (6kVA), 48 VDC (4,8kW)
 - Battery breakers
 - 2x 100A
 - DC Load breakers
 - 1x 10A, 1x 16A & 1x 32A (1-pole 13mm)
 - AC Load breakers
 - 1x 16A (2-pole 13mm)

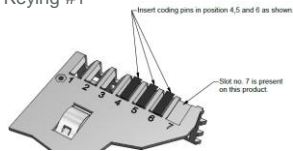
Rectifier – 230/115 VAC with 48 VDC variants

Part number	Part Description	DC power	Voltage keying
241123.100	Rectifier 230/1500 48/1200	1200W	#1
241123.101	Rectifier 230/1500 48/150	150W	#1
241123.102	Rectifier 230/1500 48/0	0W*	#1
241123.100L	Rectifier 115/750 48/600	600W	#3
241123.101L	Rectifier 115/750 48/75	75W	#3
241123.102L	Rectifier 115/750 48/0	0W*	#3

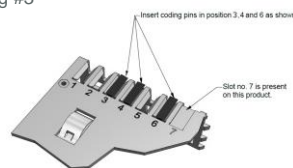
* Note: for the 0W variants the DC port must still be regarded an output if AC mains input port is powered. Current and power limited, but will still output a voltage and even a small current in some situations.



Voltage Keying #1



Voltage Keying #3



Experience the power.